



Form Mould Services cc.

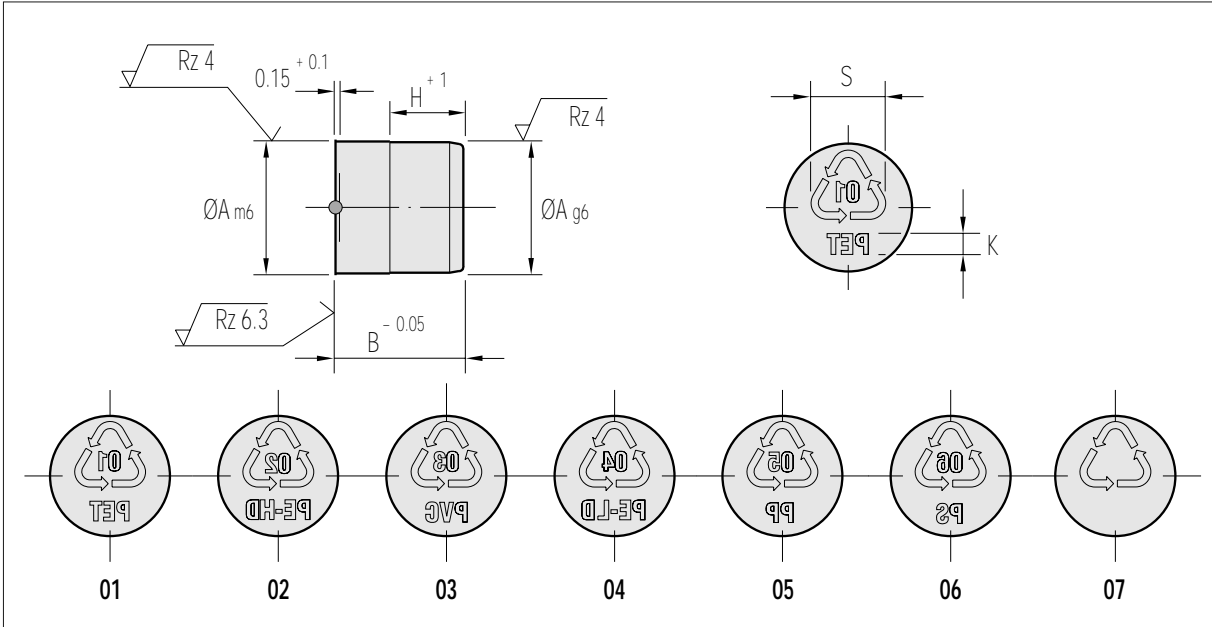
Phone: (011)953-3947/59
 Fax: (011)953-4994
 Email: sales@fms-sa.co.za

P.O. Box 5533
 West Krugersdorp
 1742

24 Carter Street
 Delporton
 Krugersdorp

REFERENCE INSERT

Mat. INOX. 1.4034 - 48/54HRC.
 DIN 6120.



Ref.	A	B	E	H	K	S
IR.1012..	10	12	8	7	1.5	5.6
IR.1212..	12	12	10	7	1.8	6.8
IR.1616..	16	16	12	9	2.4	9
IR.2016..	20	16	16	9	3.2	11.3

Reference Insert. All type of indicators for the recycling of plastic parts. They are assembled from the front of the mold.

When ordering, indicate after the reference, the desired model.

IMPORTANT: For special engravings, see page 4.02.

