



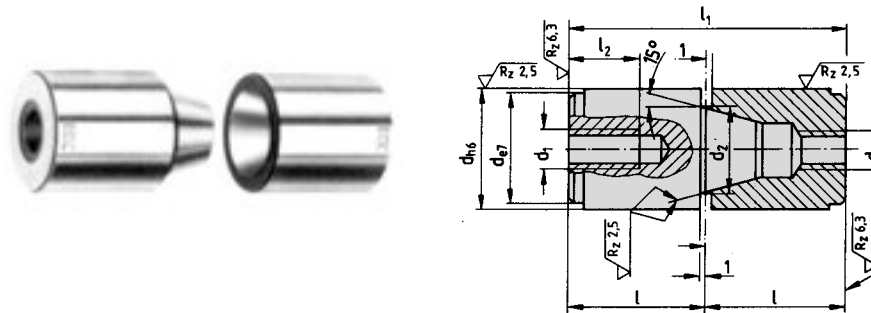
# Form Mould Services cc.

Phone: (011)953-3947/59  
 Fax: (011)953-4994  
 Email:sales@fms-sa.co.za

P.O. Box 5533  
 West Krugersdorp  
 1742

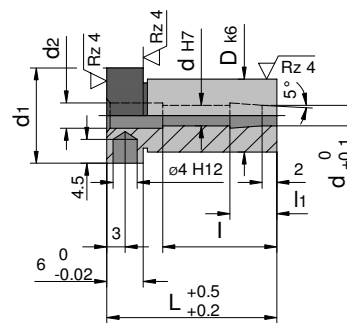
24 Carter Street  
 Delporton  
 Krugersdorp

## FW 40 Locating Units/Taper Interlocks Mat. 1.2767 ± 54 HRC



Order Code.	d	d1	l1	l2	L
FW 40 12 x 17	12	M4	34	12	17
FW 40 16 x 17	16	M5	34	12	17
FW 40 20 x 27	20	M8	54	15	27
FW 40 25 x 27	25	M8	54	15	27
FW 40 30 x 36	30	M10	72	18	36
FW 40 32 x 36	32	M10	72	18	36
FW 40 42 x 46	42	M10	92	18	46

## FN 40 Sprue Puller Bushes Mat. 1.2826 ± 580 HV



Order Code.	D	L	d1	d2	l	l1	d <sub>H7</sub>
FN 40 12 x 22	12	22	16	4.5	18	7	4
FN 40 12 x 27	12	27	16	4.5	18	7	4
FN 40 12 x 36	12	36	16	4.5	18	7	4
FN 40 12 x 46	12	46	16	4.5	18	7	4
FN 40 12 x 56	12	56	16	4.5	18	7	4
FN 40 18 x 22	18	22	22	6.5	22	7	6
FN 40 18 x 27	18	27	22	6.5	22	7	6
FN 40 18 x 36	18	36	22	6.5	22	7	6
FN 40 18 x 46	18	46	22	6.5	22	7	6
FN 40 18 x 56	18	56	22	6.5	22	7	6
FN 40 18 x 66	18	66	22	6.5	22	7	6
FN 40 18 x 76	18	76	22	6.5	22	7	6