



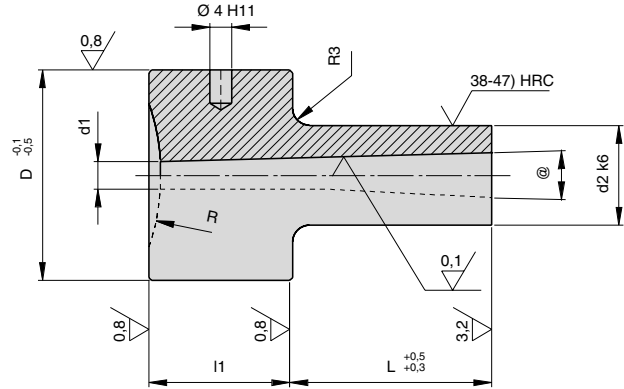
# Form Mould Services cc.

Phone: (011)953-3947/59  
 Fax: (011)953-4994  
 Email: sales@fms-sa.co.za

P.O. Box 5533  
 West Krugersdorp  
 1742

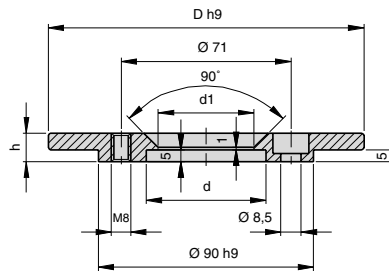
24 Carter Street  
 Delporton  
 Krugersdorp

## Sprue Bushings SBK,SBN,SBM Mat. 1.2312 HRD ± 48-52 HRC



Order Code.	D	d1	d2	l1	R	@	L	Order Code.	D	d1	d2	l1	R	@	L
SBK 12-26-3.5-16	28	3.5	12	16	16	1.5°	26	SBN 18-26-3.5-40	38	3.5	18	20	40	1.5°	26
SBK 12-36-3.5-16							36	SBN 18-36-3.5-40							36
SBK 12-46-3.5-16							46	SBN 18-46-3.5-40							46
SBK 12-56-3.5-16							56	SBN 18-56-3.5-40							56
SBN 18-36-3.5-0	38	3.5	18	20	0	1.5°	36	SBM 18-26-3.5-16	38	3.5	18	26	16	1.5°	26
SBN 18-46-3.5-0							46	SBM 18-36-3.5-16							36
SBN 18-56-3.5-0							56	SBM 18-46-3.5-16							46
								SBM 18-56-3.5-16							56
SBN 18-36-3.5-16	38	3.5	18	20	16	1.5°	26	SBM 18-66-3.5-16							66
SBN 18-36-3.5-16							36	SBM 18-76-3.5-16							76
SBN 18-46-3.5-16							46								
SBN 18-56-3.5-16							56								
SBN 18-66-3.5-16							66								
SBN 18-76-3.5-16							76								
SBN 18-96-3.5-16							96								

## Locating Ring Mat. Steel 37-2



Order Code.	D	h	d
C 100-28	100	12	28
C 110-28	110	12	28
C 125-28	125	12	28
B 90-38	90	12	38
B 100-38	100	12	38
B 110-38	110	12	38
B 120-38	120	12	38
B 125-38	125	12	38